

Multi-piece Showers

MPB 6060 BF 1.125 C



Barrier Free
Threshold



Solid Surface
Finish



Gelcoat
Finish

OUTER DIMENSION	60" x 61" x 4.5"
THRESHOLD	1.125" COL*
DRAIN	Center
HANDED	Drain
SHIPPING WEIGHT	126
LOAD FACTOR	0.40
TRUCK LOAD FACTOR	0.40

NOTES

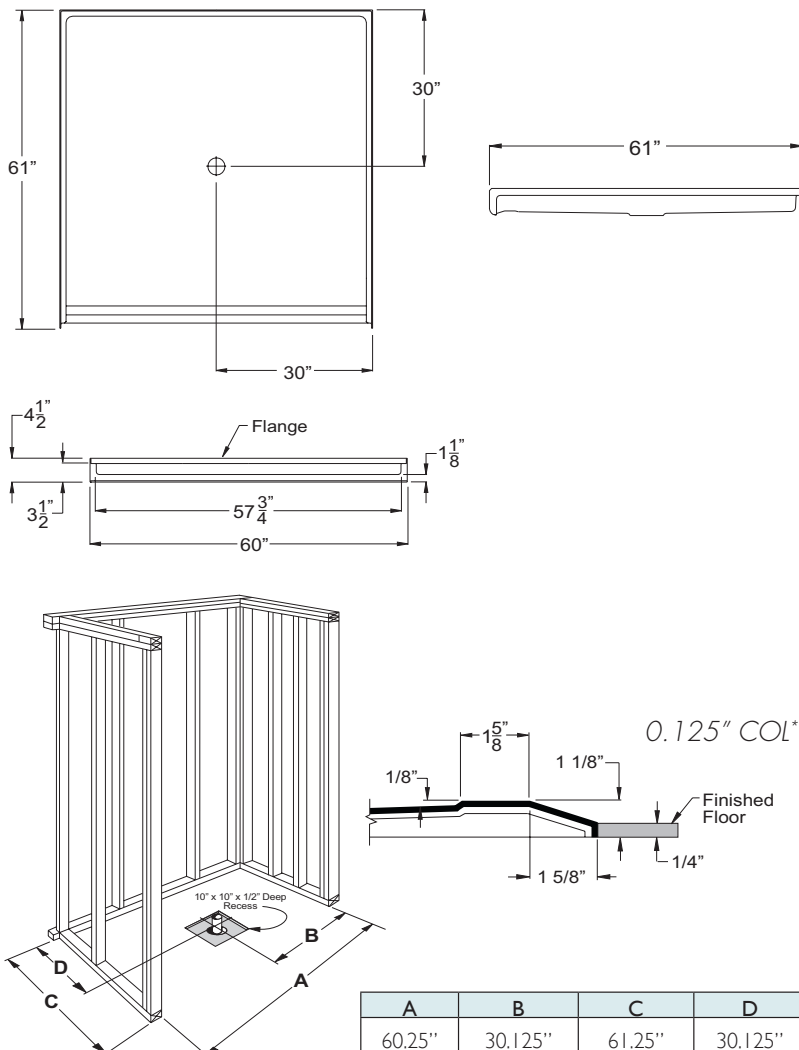
*COL Change of level threshold has a manageable 0.25" vertical rise to easily coordinate with minimum finished flooring.

CODES code compliant with IPC, UPC, and ANSI Z 124.2 only.

EasyBase™ Self-supporting and pre-levelled shower base, EasyBase™, is standard on all barrier free shower bases. EasyBase™ is not offered on EasyStep™ models.

RAPID SHIP All shower bases are in stock for rapid shipment - ships in four business days.

WARRANTY All shower bases are offered with an unprecedented thirty year limited warranty.



Empowering People Of All Ages & Abilities
The Praxis Companies, LLC | Praxis Makes Perfect
800.443.7269 | praxiscompanies.com