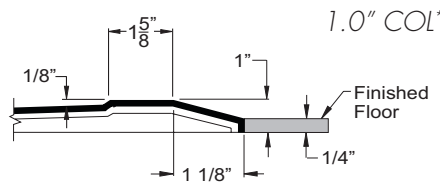
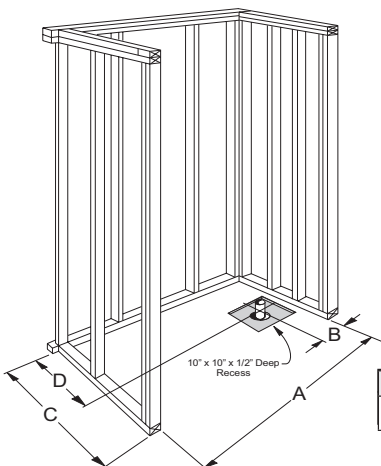
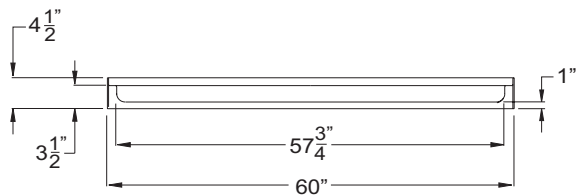
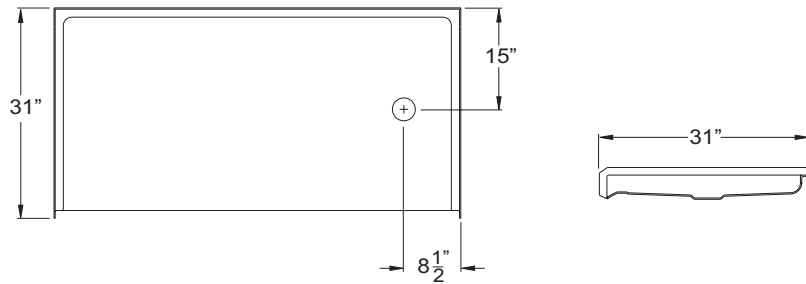
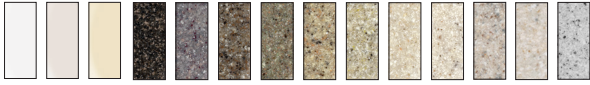


SAFE. ACCESSIBLE.
BATHING SOLUTIONS.

UPGRADE to solid surface



A	B	C	D
60.25"	8.5"	31.25"	15.125"

Due to the nature of the materials, dimensions may vary +/- 0.5".

MyPlace™ AcrylX™ shower bases

MPB 6030 BF 1.0 L/R

OUTER DIMENSION	60" x 31" x 4.5"
THRESHOLD	1.0" COL*
DRAIN	Left or Right
HANDED	Drain
SHIPPING WEIGHT	56
LOAD FACTOR	0.21
TRUCK LOAD FACTOR	0.21



Barrier Free
Threshold



Solid Surface
Finish



AcrylX™
Finish

NOTES

*COL Change of level threshold has a manageable 0.25" vertical rise to easily coordinate with minimum finished flooring.

CODES code compliant with IPC, UPC, and ANSI Z 124.2 only.

EasyBase™ Self-supporting and pre-leveled shower base, EasyBase™, is standard on all barrier free shower bases. EasyBase™ is not offered on EasyStep™ models.

RAPID SHIP All shower bases are in stock for rapid shipment - ships in four business days.

WARRANTY All shower bases are offered with an unprecedented thirty year limited warranty.



THE PRAXIS COMPANIES | praxiscompanies.com
customer service 800.443.7269