

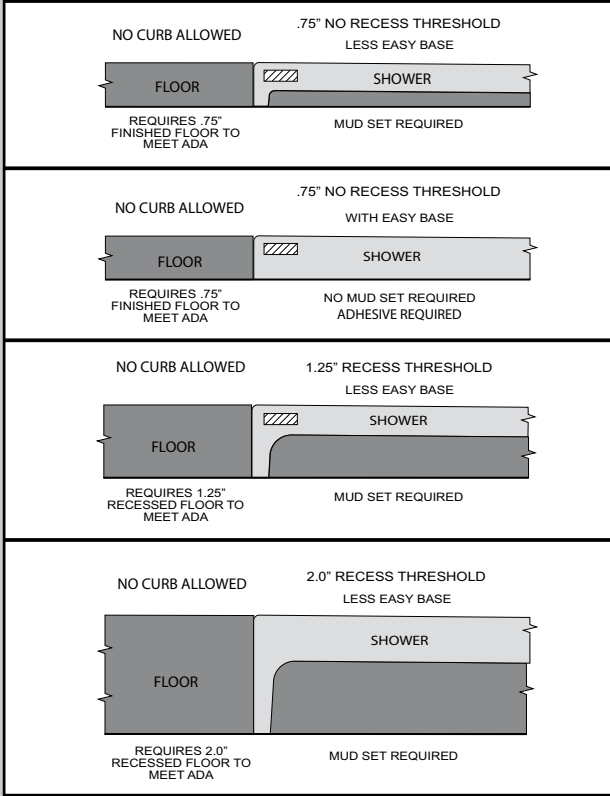


Detail Information

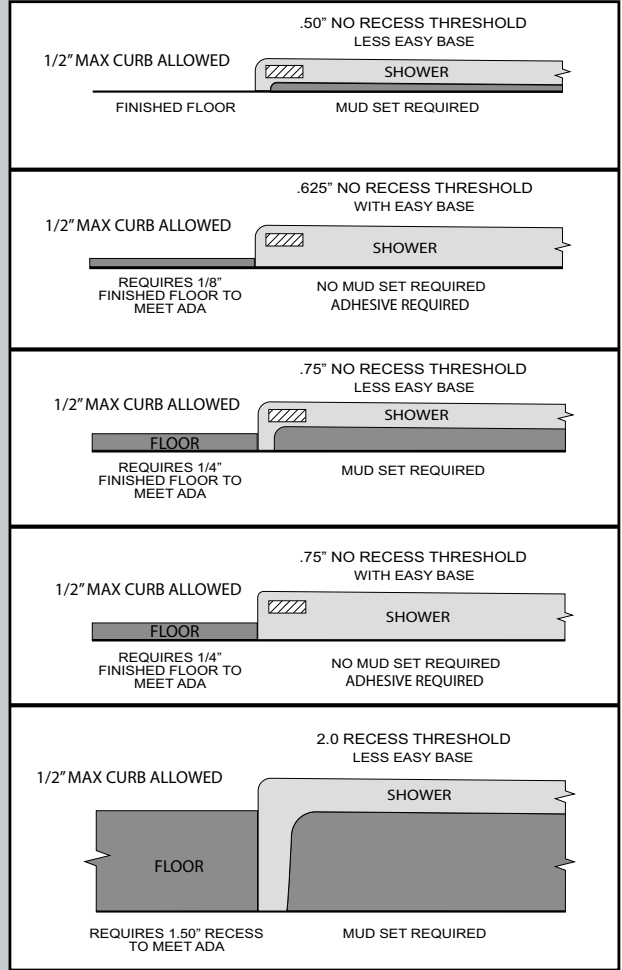
THRESHOLD DETAIL

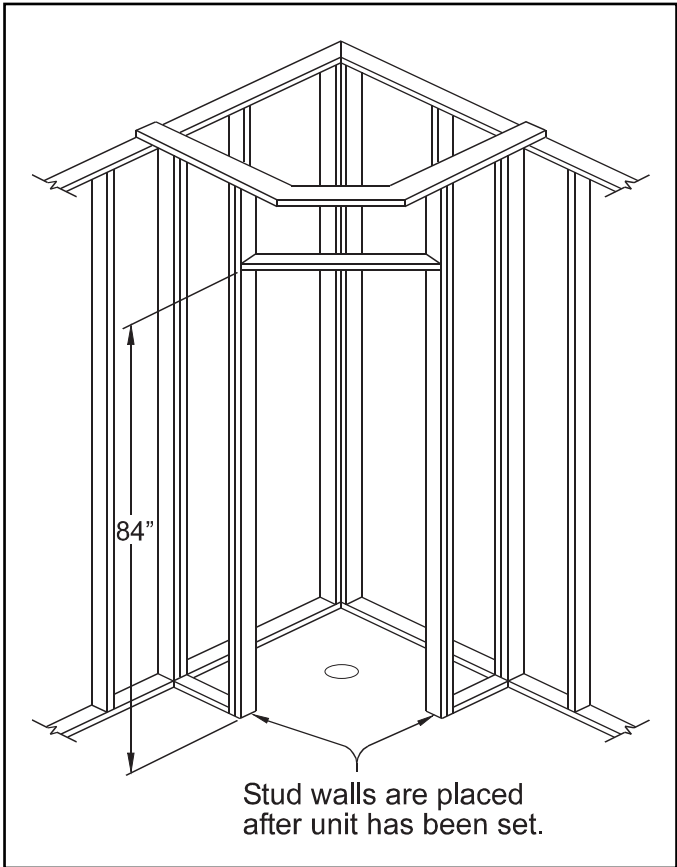
AQUARIUS
BATHWARE™

ADA Roll-In Thresholds

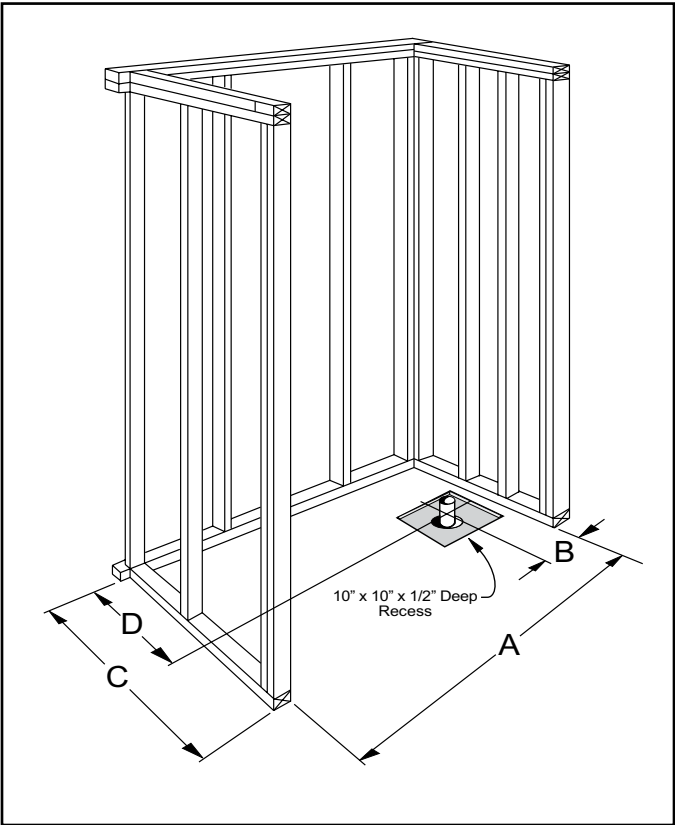


ADA Transfer and Barrier-Free Thresholds

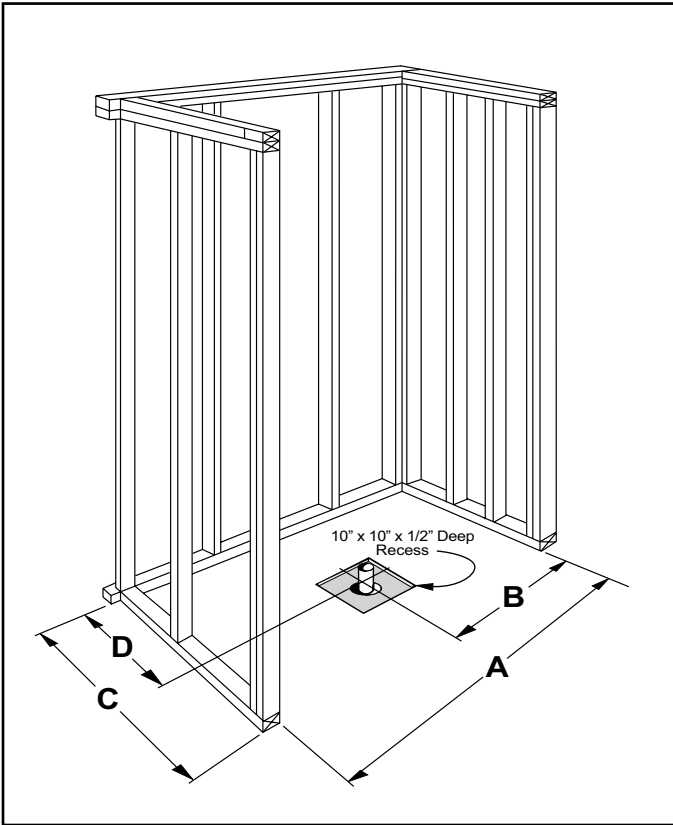




Neo-Angle Shower Frame-In Detail



Left/Right Drain Frame-In Detail



Center Drain Frame-In Detail